

# Kentucky

State High School Basketball Tournament

# LOUISVILLE KENTUCKY

*74th Boys'  
Sweet Sixteen*

*Knott  
Central*

Official Statistics  
Game Seven  
Knott Central vs. Corbin

RUPP ARENA • LEXINGTON, KENTUCKY • MARCH 13-16, 1991 • \$2.00



VISITORS (Last Name, First)

NO.	HOLY CROSS (COVINGTO	Tot FG		3-POINT		FT	FTA	Rebounds			PF	TP	A	TO	BLK	S	TIME
		FG	FGA	FG	FGA			OFF	DEF	TOT							
23	Houston, Todd	9	15	4	9	4	6	1	3	4	2	26	3	4	0	1	30:50
35	Saalfeld, Brad	2	3	0	0	1	3	0	4	4	1	5	3	2	0	2	30:50
41	McClendon, Andre	11	13	0	0	6	8	1	5	6	3	28	0	3	0	3	30:47
15	Miller, Corey	1	1	0	0	1	2	0	2	2	1	3	9	0	0	1	30:50
25	Goetz, Erik	3	7	1	4	0	0	2	2	4	2	7	5	1	0	3	30:50
31	Hungler, Denny	0	0	0	0	0	0	0	0	0	0	0	0	0	0	0	0:26
21	London, Delon	0	2	0	0	0	0	0	0	0	0	0	0	1	0	1	1:10
11	McClendon, Tony	0	0	0	0	0	0	0	0	0	0	0	0	0	0	0	0:35
43	Spalding, Tony	0	0	0	0	1	2	0	0	0	0	1	0	0	0	0	0:35
13	Wells, Matt	0	0	0	0	0	0	0	0	0	0	0	0	0	0	0	0:47
33	Cliff, Todd	0	0	0	0	0	0	0	0	0	0	0	0	0	0	0	0:35
45	Stokes, Mike	0	0	0	0	0	0	0	2	2	0	0	0	1	0	0	0:35
22	Arlinghaus, Ben	0	0	0	0	0	0	0	0	0	0	0	0	0	0	0	0:35
TEAM REBOUNDS (INCLUDED IN TOTALS)								1	1								
TOTALS		26	41	5	13	13	21	4	19	23	9	70	20	12	0	11	160
TOTAL FG	1st HALF	6/12	50.0%	2nd HALF	20/29	69.0%	GAME		26/41	63.4%	DEADBALL						
3-POINT FG	1st HALF	2/7	28.6%	2nd HALF	3/6	50.0%	GAME		5/13	38.5%	REBOUNDS						7
FREE THROWS	1st HALF	1/1	100.0%	2nd HALF	12/20	60.0%	GAME		13/21	61.9%							

HOME (Last Name, First)

NO.	OHIO COUNTY	Tot FG		3-POINT		FT	FTA	Rebounds			PF	TP	A	TO	BLK	S	TIME
		FG	FGA	FG	FGA			OFF	DEF	TOT							
30	Bradley, Jon	9	18	0	0	3	4	3	2	5	1	21	0	1	2	0	31:13
32	Kennedy, Shane	4	7	0	1	0	0	3	4	7	5	8	1	2	0	2	26:39
50	Render, Corey	0	2	0	0	0	0	1	1	2	2	0	0	0	0	0	16:31
24	Asberry, Robby	1	5	0	2	0	0	0	1	1	4	2	1	1	0	1	21:24
44	Sumner, Michael	3	6	0	2	0	0	1	0	1	4	6	1	1	0	0	24:08
10	Decker, Paul	3	11	2	7	0	0	0	0	0	1	8	0	3	0	0	19:42
22	Jenkins, John M	1	1	0	0	0	0	1	0	1	3	2	1	3	0	0	9:57
20	Embry, Philip	1	2	0	1	0	0	1	1	2	0	2	0	0	0	0	4:21
14	Hill, Alan	1	1	0	0	0	0	2	0	2	0	2	0	1	0	0	1:43
04	Newcom, Jeremy	1	2	0	0	0	0	0	0	0	0	2	0	0	0	1	1:08
55	Abney, Brett	0	1	0	0	0	0	1	0	1	1	0	0	0	0	0	1:05
03	Manasco, Anthony	0	1	0	0	0	0	0	0	0	0	0	0	1	0	0	0:23
34	Wydick, Mickey	0	0	0	0	0	0	0	0	0	0	0	0	0	0	0	0:47
12	Lindsey, Nathan	0	0	0	0	0	0	0	0	0	0	0	0	0	0	0	0:35
40	Parker, Justin	0	0	0	0	0	0	0	0	0	0	0	0	0	0	0	0:24
TEAM REBOUNDS (INCLUDED IN TOTALS)								2	1	3							
TOTALS		24	57	2	13	3	4	15	10	25	21	53	4	13	2	4	160
TOTAL FG	1st HALF	5/14	35.7%	2nd HALF	19/43	44.2%	GAME		24/57	42.1%	DEADBALL						
3-POINT FG	1st HALF	0/4	0.0%	2nd HALF	2/9	22.2%	GAME		2/13	15.4%	Rebounds						2
FREE THROWS	1st HALF	0/0	0.0%	2nd HALF	3/4	75.0%	GAME		3/4	75.0%							

OFFICIALS: Ken Catron, Randall Curry, B. Reader-Alt. SCORE BY PERIODS  
 Technicals: None HOLY CROSS (COVINGTO 15 16 15 24 = 70  
 OHIO COUNTY 10 11 13 19 = 53

Attendance: 15,490  
 COMMENTS: POINTS OFF TURNOVERS SECOND CHANCE POINTS  
 HOLY CROSS (COVINGTO 20 OHIO COUNTY 10 HOLY CROSS (COVINGTO 6 OHIO COUNTY 18

CORBIN "Redhounds" vs KNOTT COUNTY CENTRAL "Patriots"  
1st Half Play by Play

Tip off at 7:30 p.m. on 03/14/91 at Lexington, Ky.  
Produced by the University of Kentucky Stat Crew with FINAL III - a Product of LEXICON S

PAGE : 1

KNOTT COUNTY CENTRAL				Time	Score	CORBIN	Player	Team
Couch, Jamie	Huff, Sonny	Arrington, Brad	Kitchen, John	Adams, Bryan			Ely, Jeff	Roaden, Bo
Ball to Patriots							Helton, Steve	Parsons, Wade
1-1	100%	1-1	100%	7 ft Lane Bank by Arrington, Brad	1 7:50	*2-0	Barton, Brent	
1		1		Assist by Huff, Sonny	1 7:31	2-3*	3 pt 22 ft Straight Away Jump shot by Roaden, Bo	1-1 100% 1-1 100%
							Assist by Parsons, Wade	1 1
1-1	100%	2-2	100%	11 ft Lane Jump shot by Couch, Jamie	1 7:15	*4-3		
					1 6:45		Sub In: Pietrowski, Tony Out: Parsons, Wade	
2-2	100%	3-6	50.0%	7 ft Lane Bank by Arrington, Brad	1 6:11	4-5*	Driving Layup by Roaden, Bo	2-2 100% 2-2 100%
1		2		Assist by Couch, Jamie	1 5:53	*6-5		
1-2	50.0%	4-7	57.1%	Fast Break Layup by Kitchen, John	1 5:42	*8-5		
1		1		Foul on Huff, Sonny	1 5:31			
					1 5:29	8-7*	Roaden, Bo 2 Free Throws - made both	2- 2 100% 2- 2 100%
					1 5:11	8-9*	10 ft Left Angle Jump shot by Barton, Brent	1-1 100% 3-3 100%
				Foul on Arrington, Brad	1 5:01			
3-3	100%	5-9	55.5%	7 ft Lane Follow by Arrington, Brad	1 4:44	8-12*	3 pt 22 ft Right Angle Jump shot by Roaden, Bo	3-3 100% 4-4 100%
					1 4:19	*10-12		
					1 4:04	10-15*	3 pt 22 ft Left Side Jump shot by Barton, Brent	2-2 100% 5-5 100%
							Assist by Ely, Jeff	1 2
				Foul on Kitchen, John	1 3:52			
					1 3:52		Sub In: Curry, Toby Out: Helton, Steve	
					1 3:52	10-17*	Driving Layup by Curry, Toby	1-1 100% 6-6 100%
							Assist by Barton, Brent	1 3
4-4	100%	6-10	60.0%	Layup Alley Oop by Arrington, Brad	1 3:04	*12-17		
2		3		Assist by Huff, Sonny				
5-5	100%	7-11	63.6%	4 ft Lane Jump shot by Arrington, Brad	1 2:38	*14-17		
3		4		Assist by Huff, Sonny				
					1 2:16		Sub In: Helton, Steve Out: Curry, Toby	
					1 2:16		Sub In: Helton, Frankie Out: Ely, Jeff	
				Sub In: Amburgey, Byron Out: Couch, Jamie	1 2:16			
					1 2:16		Sub In: Mulberry, Brian Out: Roaden, Bo	
1-2	50.0%	8-12	66.6%	Driving Layup by Adams, Bryan	1 2:16	*16-17		
1		5		Assist by Kitchen, John				
1		4		Foul on Adams, Bryan	1 2:02			
2-3	66.6%	9-14	64.2%	Follow Layup by Adams, Bryan	1 2:02	16-18*	Helton, Steve 2 Free Throws - made 1st missed 2nd	1- 2 50.0% 3- 4 75.0%
3-4	75.0%	10-15	66.6%	8 ft Left Angle Fast Break by Adams, Bryan	1 1:43	*18-18		
					1 1:33	*20-18		
					1 0:51	20-20*	Fast Break Layup by Helton, Frankie	1-1 100% 7-8 87.5%
							Assist by Helton, Steve	1 4
					1 0:40		Foul on Helton, Frankie	1 1
					1 0:40		Sub In: Roaden, Bo Out: Mulberry, Brian	
				Sub In: Click, Scotty Out: Arrington, Brad	1 0:40			
				Sub In: Couch, Jamie Out: Kitchen, John	1 0:40			

CORBIN "Redbounds" vs KNOTT COUNTY CENTRAL "Patriots"  
1st Half Play by Play

PAGE : 2

Tip off at 7:30 p.m. on 03/14/91 at Lexington, Ky.  
Produced by the University of Kentucky Stat Crew with FINAL III - a Product of LEXICO

Player	Team	KNOTT COUNTY CENTRAL	Time	Score	CORBIN	Player	Team
Couch, Jamie	Click, Scotty	Amburgey, Byron, Adams, Bryan, Huff, Sonny			Ely, Jeff, Barton, Brent, Pietrowski, Tony, Roaden, Bo, Helton, Steve		
		Ball to Patriots					
		Sub In: Kitchen, John Out: Adams, Bryan	2 7:51	20-22*	6 ft Lane Bank by Barton, Brent	3-4	75.0% 8-10 80.0%
		Sub In: Arrington, Brad Out: Huff, Sonny			Assist by Ely, Jeff	2	5
			2 7:28		Foul on Pietrowski, Tony	1	2
			2 7:27				
			2 7:03	20-24*	Layup Alley Oop by Pietrowski, Tony	1-1	100% 9-11 81.8%
					Assist by Barton, Brent	2	6
2-5	40.0% 11-18 61.1%	14 ft Lane Jump shot by Kitchen, John	2 6:55	*22-24			
		Sub In: Adams, Bryan Out: Amburgey, Byron	2 6:20				
			2 6:20		Sub In: Helton, Frankie Out: Ely, Jeff		
2-2	100% 12-20 60.0%	7 ft Left Side Bank by Couch, Jamie	2 6:20	*24-24		2	3
			2 6:02		Foul on Helton, Frankie		
			2 5:55	24-26*	10 ft Left Side Jump shot by Roaden, Bo	4-5	80.0% 10-13 76.9%
		Sub In: Huff, Sonny Out: Click, Scotty	2 5:28				
		Foul on Arrington, Brad	2 5:05				
		Sub In: Click, Scotty Out: Huff, Sonny	2 5:05				
4-5	80.0% 13-22 59.0%	Fast Break Layup by Adams, Bryan	2 5:05	24-28*	Roaden, Bo 2 Free Throws - made both	4-4	100% 5-6 83.3%
			2 5:00	*26-28		1	4
			2 5:00		Foul on Roaden, Bo		
1-1	100% 1-1 100%	Adams, Bryan 1 Free Throw - made	2 5:00	*27-28			
		Sub In: Huff, Sonny Out: Arrington, Brad	2 5:00				
		Foul on Adams, Bryan	2 4:19				
			2 4:19		Sub In: Ely, Jeff Out: Helton, Frankie	2	5
			2 3:31		Foul on Roaden, Bo		
3-3	100% 14-25 56.0%	Layup Alley Oop by Couch, Jamie	2 3:19	*29-28			
		Assist by Kitchen, John					
			2 3:07	29-30*	10 ft Right Side Jump shot by Helton, Steve	1-1	100% 11-19 57.8%
					Assist by Barton, Brent	3	7
4-4	100% 15-26 57.6%	3 pt 22 ft Straight Away Jump shot by Couch, Jamie	2 2:43	*32-30			
		Assist by Click, Scotty					
		Sub In: Amburgey, Byron Out: Couch, Jamie	2 2:01		Sub In: Curry, Toby Out: Helton, Steve		
			2 2:01				
			2 2:01	32-33*	3 pt 21 ft Right Angle Jump shot by Roaden, Bo	5-7	71.4% 12-21 57.1%
					Assist by Barton, Brent	4	8
		Foul on Kitchen, John	2 1:48			1	6
			2 1:14		Foul on Curry, Toby		
5-7	71.4% 16-30 53.3%	6 ft Lane Follow by Adams, Bryan	2 0:51	*34-33			
			2 0:34	34-35*	18 ft Right Side Jump shot by Roaden, Bo	6-8	75.0% 13-23 56.5%
					Assist by Pietrowski, Tony	1	9
			2 0:03	34-37*	Driving Layup by Curry, Toby	2-2	100% 14-24 58.3%
					Assist by Pietrowski, Tony	2	10

OFFICIAL NCAA BASKETBALL BOX SCORE: \* OFFICIAL FIRST HALF \*  
 Date: 03-14-91 Site:Lexington, Ky.

VISITORS (Last Name, First)

NO.	CORBIN	Tot FG		3-POINT		FT	FTA	Rebounds			PF	TP	A	TO	BLK	S	TIME
		FG	FGA	FG	FGA			OFF	DEF	TOT							
04	Ely, Jeff	0	1	0	0	0	0	0	0	0	0	2	2	0	0	11:43	
30	Roaden, Bo	6	8	3	3	4	4	1	3	4	2	19	0	1	1	14:24	
40	Helton, Steve	1	1	0	0	1	2	0	2	2	0	3	1	0	0	12:23	
10	Parsons, Wade	0	0	0	0	0	0	0	0	0	0	0	1	0	0	1:15	
20	Barton, Brent	3	7	1	3	0	0	1	1	2	0	7	4	2	0	16:00	
23	Pietrowski, Tony	1	4	0	2	0	0	1	1	2	1	2	2	1	0	14:45	
33	Curry, Toby	2	2	0	0	0	0	0	0	0	1	4	0	1	0	3:37	
24	Helton, Frankie	1	1	0	0	0	0	0	0	0	2	2	0	2	0	4:17	
34	Mulberry, Brian	0	0	0	0	0	0	0	0	0	0	0	0	0	0	1:36	
TEAM REBOUNDS (INCLUDED IN TOTALS)																	
TOTALS		14	24	4	8	5	6	3	7	10	6	37	10	9	1	2	80

TOTAL FG	1st HALF	7/9	77.8%	2nd HALF	7/15	46.7%	GAME	14/24	58.3%	DEADBALL	
3-POINT FG	1st HALF	3/4	75.0%	2nd HALF	1/4	25.0%	GAME	4/8	50.0%	REBOUNDS	0
FREE THROWS	1st HALF	3/4	75.0%	2nd HALF	2/2	100.0%	GAME	5/6	83.3%		

HOME (Last Name, First)

NO.	KNOTT COUNTY CENTRAL	Tot FG		3-POINT		FT	FTA	Rebounds			PF	TP	A	TO	BLK	S	TIME
		FG	FGA	FG	FGA			OFF	DEF	TOT							
12	Couch, Jamie	4	5	1	1	0	0	2	1	3	0	9	1	0	0	0	12:23
44	Huff, Sonny	0	3	0	0	0	0	0	1	1	1	0	3	0	0	1	13:56
54	Arrington, Brad	5	5	0	0	0	0	1	0	1	2	10	0	1	0	1	9:47
22	Kitchen, John	2	8	0	2	0	0	0	0	0	2	4	2	3	0	2	14:47
32	Adams, Bryan	5	7	0	0	1	1	3	0	3	2	11	0	2	0	0	14:53
14	Amburgey, Byron	0	3	0	2	0	0	0	2	2	0	0	0	1	0	0	5:57
34	Click, Scotty	0	0	0	0	0	0	0	3	3	0	0	1	0	0	0	8:17
TEAM REBOUNDS (INCLUDED IN TOTALS)																	
TOTALS		16	31	1	5	1	1	8	8	16	7	34	7	8	0	4	80

TOTAL FG	1st HALF	10/16	62.5%	2nd HALF	6/15	40.0%	GAME	16/31	51.6%	DEADBALL	
3-POINT FG	1st HALF	0/1	0.0%	2nd HALF	1/4	25.0%	GAME	1/5	20.0%	Rebounds	0
FREE THROWS	1st HALF	0/0	0.0%	2nd HALF	1/1	100.0%	GAME	1/1	100.0%		

OFFICIALS: Ken Catron, Barry Barnes, R. Boisture-Alt  
 Technicals: None

SCORE BY PERIODS

CORBIN	20	17	=	37
KNOTT COUNTY CENTRAL	20	14	=	34

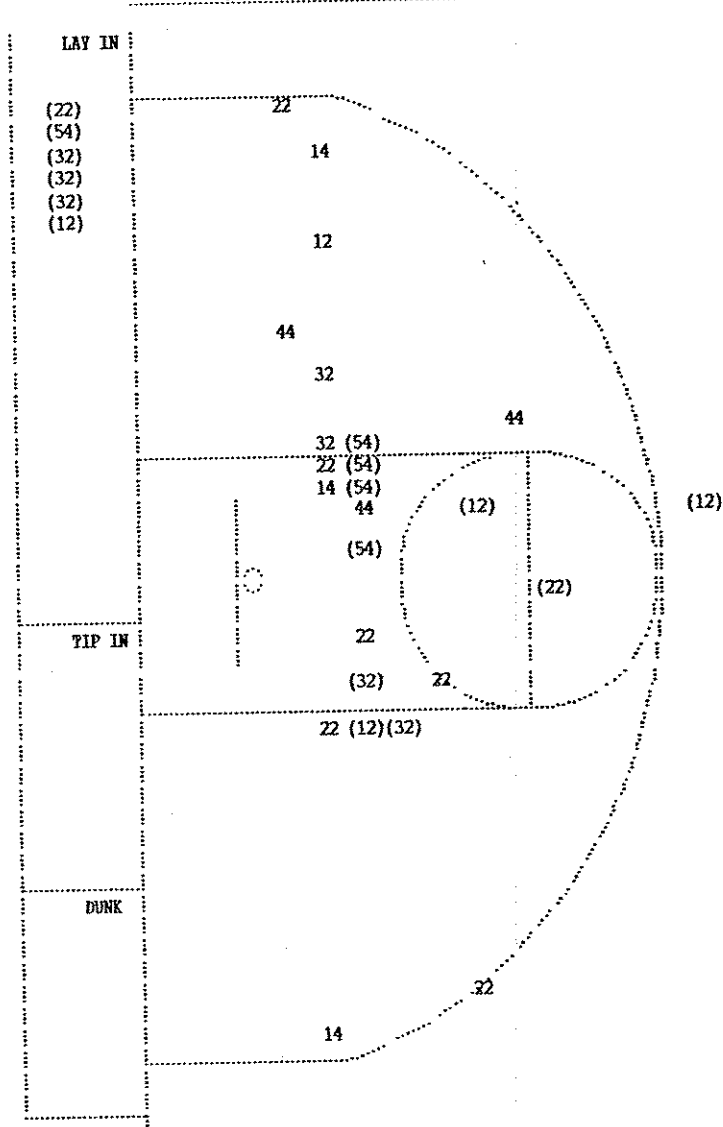
Attendance:

COMMENTS: POINTS OFF TURNOVERS

CORBIN 9 KNOTT COUNTY CENTRAL 10 CORBIN

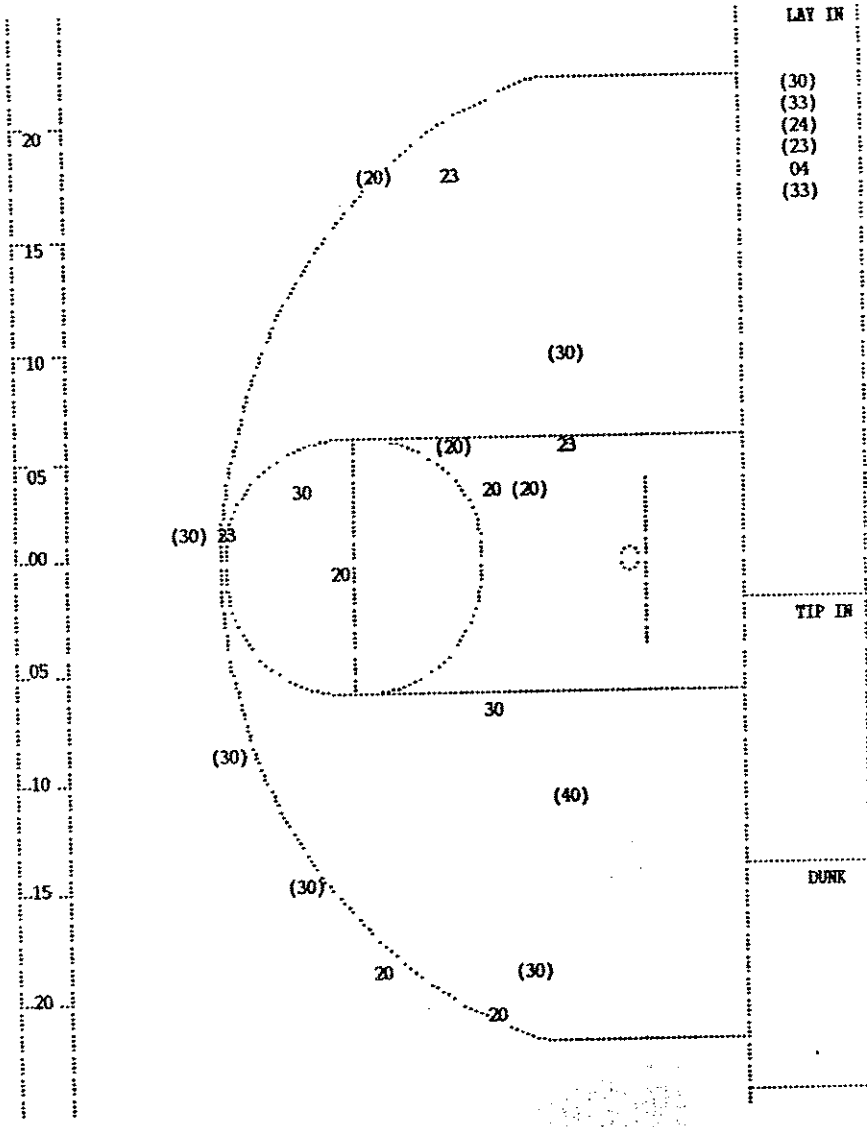
SECOND CHANCE POINTS

2 KNOTT COUNTY CENTRAL 8



**KNOTT COUNTY CENTRAL**

Player	Player	Player
12 - Couch, Jam 4/5 80.0%	14 - Amburgey, 0/3 0.0%	
44 - Huff, Sonn 0/3 0.0%		
54 - Arrington, 5/5 100.0%		
22 - Kitchen, J 2/8 25.0%		
32 - Adams, Bry 5/7 71.4%		
<b>Layups</b> 1-9 Ft 10-15 Ft Over 15 Ft 3 Pointers Total		
6/6 1/14 2/5 0/1 1/5 16/31		
100.0% 50.0% 40.0% 0.0% 20.0% 51.6%		



**CORBIN**

Player	Player	Player
04 - Ely, Jeff 0/1 0.0%	24 - Helton, Fr 1/1 100.0%	
30 - Roaden, Bo 6/8 75.0%	33 - Curry, Tob 2/2 100.0%	
40 - Helton, St 1/1 100.0%		
20 - Barton, Br 3/7 42.8%		
23 - Pietrowski 1/4 25.0%		
<b>Layups</b> 1-9 Ft 10-15 Ft Over 15 Ft 3 Pointers Total		
5/6 1/4 3/4 1/2 4/8 14/24		
83.3% 25.0% 75.0% 50.0% 50.0% 58.3%		

CORBIN "Redhounds" vs KNOFF COUNTY CENTRAL "Patriots"  
 2nd Half Play by Play

Tip off at 7:30 p.m. on 03/14/91 at Lexington, Ky.  
 Produced by the University of Kentucky Stat Crew with FINAL III - a Product of LEXICON

PAGE : 1

Player	Team	KNOFF COUNTY CENTRAL
Couch, Jamie, Huff, Sonny	ARRINGTON, BRAD, KITCHEN, JOHN, ADAMS, BRYAN	Ball to Patriots
1-4 25.0% 17-34 50.0%	3 8	15 ft Left Angle Jump shot by Huff, Sonny Assist by Kitchen, John
6-8 75.0% 18-35 51.4%		10 ft Left Side Jump shot by Adams, Bryan
6-6 100% 19-36 52.7%	4 9	4 ft Lane Bank by Arrington, Brad Assist by Kitchen, John
2-5 40.0% 20-37 54.0%	3 1	7 ft Lane Turnaround by Huff, Sonny Foul on Adams, Bryan
3-10 30.0% 21-38 55.2%	1 2	9 ft Left Side Bank by Kitchen, John Foul on Couch, Jamie
	3 3	Foul on Arrington, Brad
7-7 100% 22-41 53.6%		4 ft Lane Jump shot by Arrington, Brad
8-8 100% 23-42 54.7%	4 10	4 ft Lane Bank by Arrington, Brad Assist by Huff, Sonny
		Sub In: Click, Scotty Out: Huff, Sonny
1- 1 100% 2- 2 100%		Arrington, Brad 1 Free Throw - made
		Sub In: Amburgey, Byron Out: Arrington, Brad
		Sub In: Huff, Sonny Out: Adams, Bryan
3-6 50.0% 24-46 52.1%	1 4 2 5	Foul on Amburgey, Byron 10 ft Lane Jump shot by Huff, Sonny Foul on Huff, Sonny
5-8 62.5% 25-47 53.1%	1 11 1 6	16 ft Right Angle Jump shot by Couch, Jamie Assist by Amburgey, Byron Foul on Click, Scotty Sub In: Adams, Bryan Out: Kitchen, John Sub In: Arrington, Brad Out: Couch, Jamie
		Sub In: Couch, Jamie Out: Arrington, Brad
2- 2 100% 4- 4 100%		Amburgey, Byron 2 Free Throws - made both

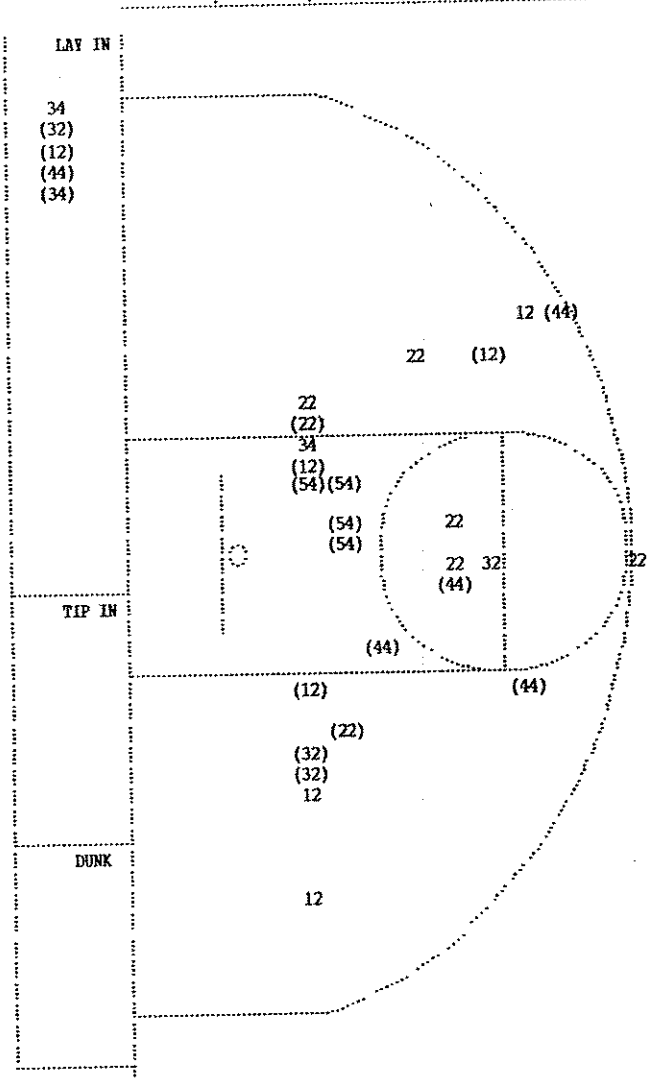
Time	Score	CORBIN	Player	Team
		Ely, Jeff, Barton, Brent, Pietrowski, Tony, Roaden, Bo, Helton, Steve		
3 7:31	34-39*	13 ft Right Side Jump shot by Barton, Brent	4-8	50.0% 15-26 57.6%
3 6:36	*36-39			
3 6:19	36-41*	Driving Layup by Helton, Steve Assist by Barton, Brent	2-2 5	100% 16-30 53.3% 11
3 5:59	*38-41			
3 5:27		Foul on Helton, Steve	1	1
3 5:22	*40-41			
3 5:08		Foul on Barton, Brent	1	2
3 5:08		Sub In: Curry, Toby Out: Helton, Steve		
3 5:08	*42-41			
3 4:43				
3 4:43	42-43*	Roaden, Bo 2 Free Throws - made both	6- 6	100% 7- 8 87.5%
3 4:37	*44-43			
3 4:27				
3 4:10		Sub In: Helton, Frankie Out: Ely, Jeff		
3 4:10	44-45*	17 ft Circle Jump shot by Curry, Toby Assist by Barton, Brent	3-3 6	100% 17-34 50.0% 12
3 3:35				
3 3:35	44-47*	Roaden, Bo 2 Free Throws - made both	8- 8	100% 9-10 90.0%
3 3:25	*46-47			
3 2:57	*48-47			
3 2:57		Foul on Curry, Toby	2	3
3 2:57				
3 2:56	*49-47			
3 2:45	49-49*	16 ft Right Angle Jump shot by Curry, Toby Assist by Helton, Frankie	4-4 1	100% 18-35 51.4% 13
3 2:03				
3 2:03				
3 1:40				
3 1:30	*51-49			
3 1:06				
3 1:05		Sub In: Helton, Steve Out: Curry, Toby		
3 1:05		Sub In: Ely, Jeff Out: Helton, Frankie		
3 1:05	51-50*	Roaden, Bo 2 Free Throws - made 1st missed 2nd	9-10	90.0% 10-12 83.3%
3 0:48	*53-50			
3 0:31				
3 0:31				
3 0:31				
3 0:31	53-52*	Barton, Brent 2 Free Throws - made both	2- 2 1	100% 12-14 85.7% 4
3 0:26		Foul on Ely, Jeff		
3 0:26				
3 0:26	*55-52			
3 0:03	55-54*	Driving Layup by Helton, Steve Assist by Pietrowski, Tony	3-3 3	100% 19-36 52.7% 14

Player	Team	KNOTT COUNTY CENTRAL	Time	Score	CORBIN	Player	Team
Adams, Bryan, Kitchen, John, Arrington, Brad, Huff, Sonny, Couch, Jamie			Ely, Jeff, Barton, Brent, Pietrowski, Tony, Roaden, Bo, Helton, Steve				
6-9	66.6%	26-48 54.1%	4	7:53	*57-54		
7-9	77.7%	27-49 55.1%	4	7:37	*59-54		
9-9	100%	28-50 56.0%	4	6:53	*61-54		
3		7	4	6:35			
		Ball to Patriots	4	6:35	61-55*	Roaden, Bo 1 Free Throw - made	10-11 90.9% 13-15 86.6%
		6 ft Left Side Jump shot by Couch, Jamie	4	6:34	61-56*	Roaden, Bo 1 Free Throw - made	11-12 91.6% 14-16 87.5%
		Driving Layup by Adams, Bryan	4	6:23		Sub In: Helton, Frankie Out: Pietrowski, Tony	
		6 ft Lane Bank by Arrington, Brad	4	6:14	*63-56		
7-10	70.0%	29-51 56.8%	4	6:14		Foul on Ely, Jeff	2 5
		Fast Break Layup by Couch, Jamie	4	6:14	*64-56		
1- 2	50.0%	5- 6 83.3%	4	6:06	*66-56		
8-11	72.7%	30-52 57.6%	4	5:55	*68-56		
5		12					
		Assist by Huff, Sonny					
4-7	57.1%	31-53 58.4%					
		Fast Break Layup by Huff, Sonny					
		REB: 25 A: 12 BLK: 1 TO: 11 PF: 7	4	5:53		REB: 17 A: 14 BLK: 2 TO: 15 PF: 5	
		S: 8 FT: 5-6 83.3% FG: 31-53 58.4%			T I M E - O U T CORBIN No. 1	S: 2 FT: 14-16 87.5% FG: 19-37 51.3%	
			4	5:53		Sub In: Pietrowski, Tony Out: Helton, Frankie	
4	8	Foul on Arrington, Brad	4	5:27			
		Sub In: Click, Scotty Out: Arrington, Brad	4	5:26			
			4	5:26		Helton, Steve 2 Free Throws - missed both	1- 4 25.0% 14-18 77.7%
4	9	Foul on Adams, Bryan	4	5:17			
		Sub In: Amburgey, Byron Out: Huff, Sonny	4	5:17			
			4	5:17		Sub In: Helton, Frankie Out: Helton, Steve	
			4	5:16	68-57*	Ely, Jeff 2 Free Throws - missed 1st made 2nd	1- 2 50.0% 15-20 75.0%
1-3	33.3%	32-56 57.1%	4	4:55	*70-57		
		Follow Layup by Click, Scotty	4	4:50	70-59*	14 ft Left Angle Jump shot by Ely, Jeff	1-2 50.0% 20-39 51.2%
			4	4:50		Assist by Pietrowski, Tony	4 15
			4	4:24	70-61*	8 ft Right Side Follow by Barton, Brent	5-13 38.4% 21-41 51.2%
			4	4:02		Foul on Barton, Brent	2 6
		Sub In: Arrington, Brad Out: Click, Scotty	4	3:59			
		Sub In: Huff, Sonny Out: Amburgey, Byron	4	3:59			
5	10	Foul on Arrington, Brad	4	3:53			
		Sub In: Click, Scotty Out: Arrington, Brad	4	3:52			
			4	3:52	70-63*	Roaden, Bo 2 Free Throws - made both	13-14 92.8% 17-22 77.2%
		REB: 27 A: 12 BLK: 1 TO: 14 PF: 10	4	3:52		REB: 20 A: 15 BLK: 2 TO: 16 PF: 6	
		S: 9 FT: 5-6 83.3% FG: 32-56 57.1%			No. 1 KNOTT COUNTY CENTRAL T I M E - O U T	S: 4 FT: 17-22 77.2% FG: 21-43 48.8%	
			4	3:43		Foul on Barton, Brent	3 7
1- 4	25.0%	5- 8 62.5%	4	3:43			
4		11	4	3:36			
		Couch, Jamie 2 Free Throws - missed both	4	3:36	70-64*	Roaden, Bo 2 Free Throws - missed 1st made 2nd	14-16 87.5% 18-24 75.0%
		Foul on Huff, Sonny	4	3:35		Foul on Roaden, Bo	3 8
			4	3:29	*72-64		
2- 2	100%	7-10 70.0%	4	3:10	72-67*	3 pt 22 ft Right Side Jump shot by Roaden, Bo	7-14 50.0% 22-44 50.0%
		Click, Scotty 2 Free Throws - made both	4	3:10		Assist by Pietrowski, Tony	5 16
6	16	Bad Pass by Adams, Bryan	4	3:00			
2	12	Foul on Click, Scotty	4	2:59			
		Sub In: Amburgey, Byron Out: Click, Scotty	4	2:59			
		REB: 27 A: 12 BLK: 1 TO: 16 PF: 12	4	2:59		REB: 21 A: 16 BLK: 2 TO: 17 PF: 8	
		S: 9 FT: 7-10 70.0% FG: 32-56 57.1%			No. 2 KNOTT COUNTY CENTRAL T I M E - O U T	S: 5 FT: 18-24 75.0% FG: 22-44 50.0%	
			4	2:59		72-68* Roaden, Bo 2 Free Throws - made 1st missed 2nd	15-18 83.3% 19-26 73.0%

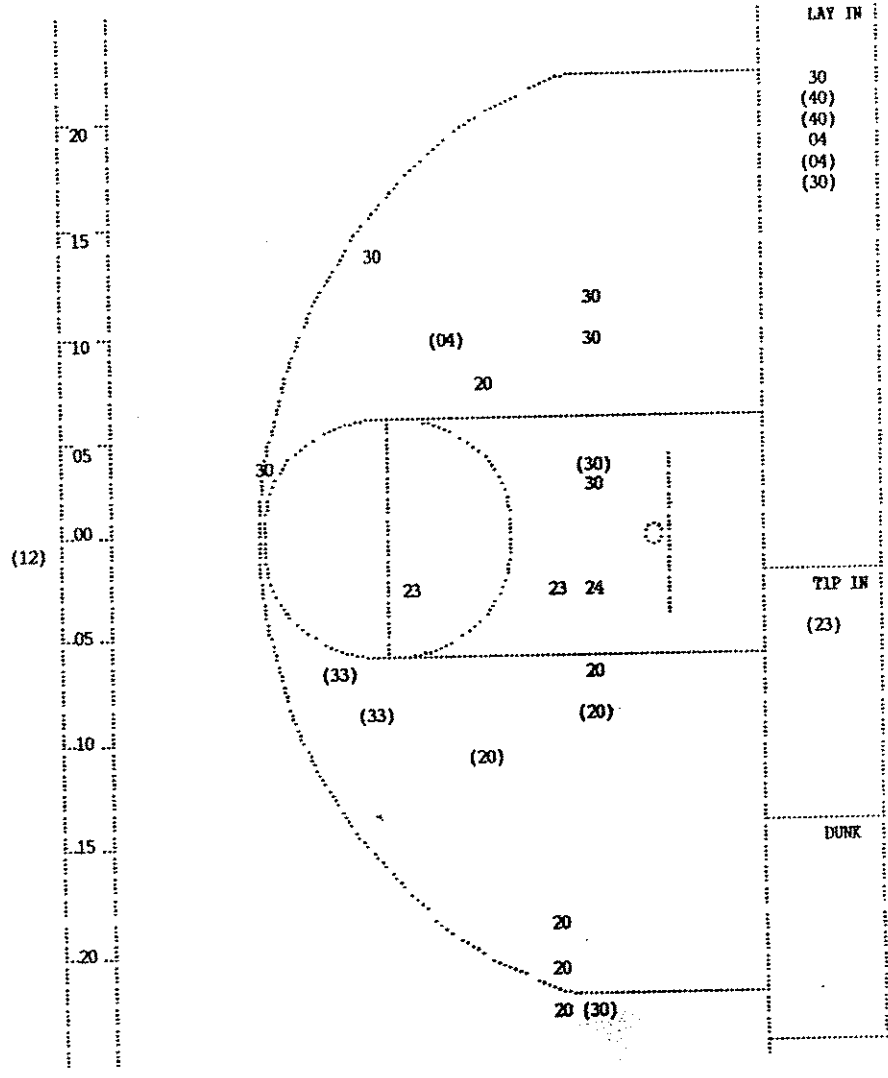


Player	Team	KNOTT COUNTY CENTRAL	Time	Score	CORBIN	Player	Team
4-13	30.7%	33-57 57.8%	6 ft Lane Driving by Kitchen, John, made	4 2:56	Rebound by Pietrowski, Tony	0-1	Tot-1
				4 2:56	72-70* Follow Tip by Pietrowski, Tony, made	2-6	33.3%
				4 2:49	*74-70	2-4	50.0%
				4 2:37	74-72* Driving Layup by Ely, Jeff, made Assist by Helton, Frankie	2	24-46 52.1%
	2	13	Foul on Couch, Jamie	4 2:34		1-3	33.3%
				4 2:34	Ely, Jeff 1 Free Throw - missed	19-27	70.3%
				4 2:30	Rebound by Roaden, Bo	0-1	Tot-1
				4 2:30	74-74* 4 ft Lane Follow by Roaden, Bo, made	8-15	53.3%
				4 2:15		25-47	53.1%
4-14	28.5%	33-58 56.8%	10 ft Lane Jump shot by Kitchen, John, missed	4 2:13	Rebound by Roaden, Bo	D-1	Tot-2
				4 2:01		D-1	Tot-24
				4 2:01	74-76* Roaden, Bo 2 Free Throws - made both	17-20	85.0%
				4 2:01	Steal by Helton, Frankie	1	21-29 72.4%
				4 1:49		6	
				4 1:46	REB: 27 A: 12 BLK: 1 TO: 17 PF: 14 S: 9 FT: 7-10 70.0% FG: 33-58 56.8%	REB: 24 A: 17 BLK: 2 TO: 17 PF: 8 S: 6 FT: 21-29 72.4% FG: 25-47 53.1%	
				4 1:34			
				4 1:34	74-77* Pietrowski, Tony 2 Free Throws - missed 1st made 2nd	1-2	50.0%
				4 1:34	*76-77	22-31	70.9%
8-11	72.7%	34-59 57.6%	10 ft Left Side Jump shot by Adams, Bryan, made	4 1:03	4 ft Lane Driving by Pietrowski, Tony, missed	2-7	28.5%
				4 1:03		25-48	52.0%
				4 1:03	Foul on Pietrowski, Tony	2	
				4 1:03		9	
				4 1:03			
				4 1:01	Rebound by Helton, Frankie	D-1	Tot-1
				4 0:47	4 ft Lane Driving by Roaden, Bo, missed	D-2	Tot-25
				4 0:46		8-16	50.0%
				4 0:46	Rebound by Helton, Frankie	25-49	51.0%
				4 0:46	3 ft Lane Follow by Helton, Frankie, missed	0-1	Tot-2
				4 0:46	Rebound by Roaden, Bo	0-3	Tot-26
				4 0:46	76-79* Follow Layup by Roaden, Bo, made	1-2	50.0%
				4 0:46		25-50	50.0%
				4 0:45	76-80* Roaden, Bo 1 Free Throw - made	0-2	Tot-3
				4 0:45		0-4	Tot-27
				4 0:32	*79-80	9-17	52.9%
				4 0:32		26-51	50.9%
				4 0:25		18-21	85.7%
				4 0:25	79-82* Barton, Brent 2 Free Throws - made both	23-32	71.8%
				4 0:25		26-51	50.9%
				4 0:16	Steal by Barton, Brent	1	
				4 0:14		7	
				4 0:16			
				4 0:16	79-83* Ely, Jeff 2 Free Throws - made 1st missed 2nd	2-5	40.0%
				4 0:13		26-36	72.2%
				4 0:11			
				4 0:10			
				4 0:10	79-85* Barton, Brent 2 Free Throws - made both	6-6	100%
				4 0:10		28-38	73.6%

Player	Team	KNOTT COUNTY CENTRAL	Time	Score	CORBIN	Player	Team
4-15	26.6%	35-61 57.3%	3 pt 20 ft Circle Jump shot by Kitchen, John, missed	4 0:04		D-2	Tot-4
				4 0:03	Rebound by Roaden, Bo	D-3	Tot-28
				4 0:03			
				4 0:03			
				4 0:03	79-87* Roaden, Bo 2 Free Throws - made both	20-23	86.9%
				4 0:00	*82-87	30-40	75.0%



KNOX COUNTY CENTRAL					
Player			Player		
12 - Couch, Jam	5/8	62.5%	34 - Click, Sco	1/3	33.3%
44 - Huff, Sonn	5/5	100.0%			
54 - Arrington, J	4/4	100.0%			
22 - Kitchen, J	2/7	28.5%			
32 - Adams, Bry	3/4	75.0%			
Layups	1-9 Ft	10-15 Ft	Over 15 Ft	3 Pointers	Total
4/5	9/11	4/9	1/3	2/3	20/31
80.0%	81.8%	44.4%	33.3%	66.7%	64.5%



CORBIN					
Player			Player		
04 - Ely, Jeff	2/3	66.6%	24 - Helton, Fr	0/1	0.0%
30 - Roeden, Bo	3/9	33.3%	33 - Curry, Tob	2/2	100.0%
40 - Helton, St	2/2	100.0%			
20 - Barton, Br	2/7	28.5%			
23 - Pietrowski	1/3	33.3%			
Layups	1-9 Ft	10-15 Ft	Over 15 Ft	3 Pointers	Total
5/7	2/6	2/6	2/3	1/5	12/27
71.4%	33.3%	33.3%	66.7%	20.0%	44.4%